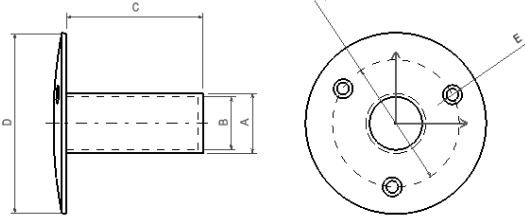


## Support de Lyre

Caractéristiques	Dimensions																												
<ul style="list-style-type: none"> <li>- INOX 316l</li> <li>- Finition poli</li> <li>- Platine bombée sur demande</li> <li>- 3 trous de fixation fraisés à 120°</li> <li>- A encastrer</li> </ul>	 <table border="1"> <thead> <tr> <th></th> <th>A</th> <th>B</th> <th>C</th> <th>D</th> <th>E</th> <th>F</th> </tr> </thead> <tbody> <tr> <td>1018</td> <td>25</td> <td>22</td> <td>57</td> <td>Ø75.5</td> <td>Ø5</td> <td>Ø53</td> </tr> <tr> <td>1020</td> <td>38</td> <td>34</td> <td>58</td> <td>Ø80</td> <td>Ø6.5</td> <td>Ø57.5</td> </tr> <tr> <td>1023</td> <td>17.2</td> <td>12</td> <td>52</td> <td>Ø50</td> <td>Ø5</td> <td>Ø35</td> </tr> </tbody> </table>		A	B	C	D	E	F	1018	25	22	57	Ø75.5	Ø5	Ø53	1020	38	34	58	Ø80	Ø6.5	Ø57.5	1023	17.2	12	52	Ø50	Ø5	Ø35
	A	B	C	D	E	F																							
1018	25	22	57	Ø75.5	Ø5	Ø53																							
1020	38	34	58	Ø80	Ø6.5	Ø57.5																							
1023	17.2	12	52	Ø50	Ø5	Ø35																							

